

# Cabinet LED Control

## CV1

### RF+Sensor Synchronous DIM 6 CH LED Control Box

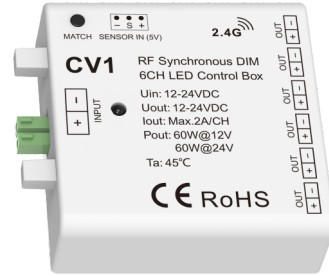
#### Features

- Dimming interface: RF Wireless, Sensor
- Match with RF 2.4G single zone or multiple zone dimming remote control
- Match with a variety of sensor head
- 12-24VDC Input
- 6 channel synchronous constant voltage output, Max. total output power 60W
- Output PWM frequency: 8000Hz
- Ultra-thin design, light weight and high efficiency
- Light on/off fade time 3s selectable
- Suitable for indoor LED lighting application
- 5 Year, 50,000hr warranty

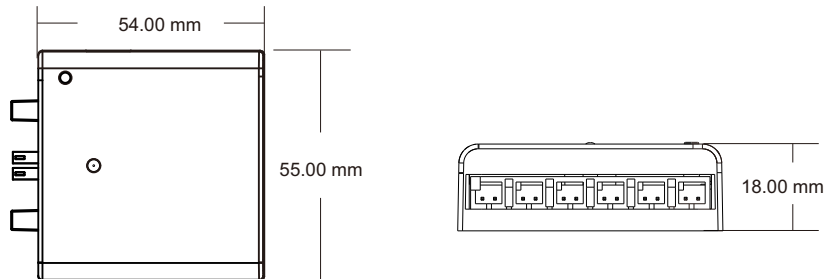
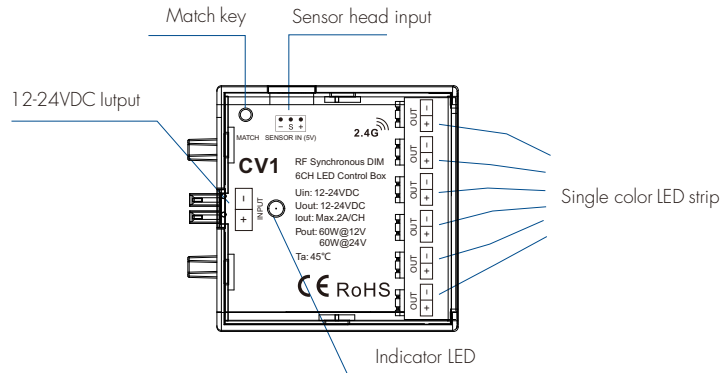
#### Applications

- Suitable for cabinet LED strip.

#### Mechanical Structures and Installations

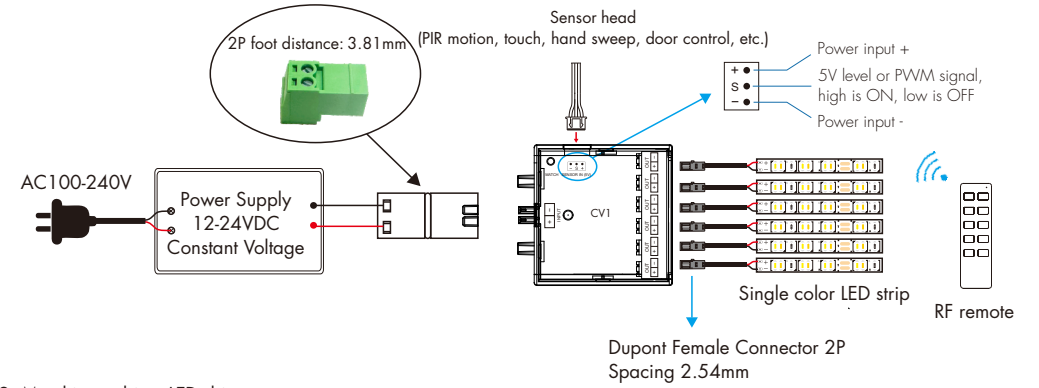


CE RoHS

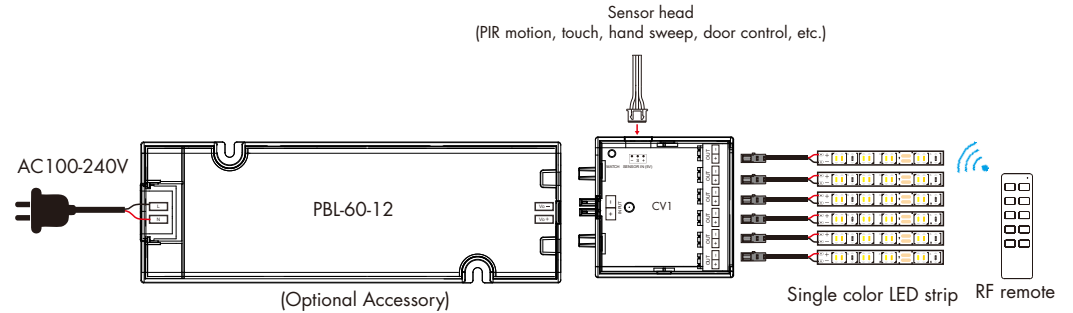


#### Wiring Diagram

1. Use alone, powered by constant voltage power supply



2. Matching cabinet LED driver use



Note: The sensor head input PWM frequency range is 500-2000Hz.

#### Light On/Off Fade Time

Long press match key 5s, then short press match key 3 times, the light on/off time will be set to 3s, the indicator light blink 3 times.  
Long press match key 10s, restore factory default parameter, the light on/off time also restore to 0.5s.

## Match Remote Control

The control box can match with RF 2.4G dimming remote control optionally by default, except PIR motion sensor input. For PIR motion sensor input, please long press the Match key 15s to disable the RF remote match function. For other sensor input, please long press the Match key 5s to enable the RF remote match function. The user can choose the suitable match/delete ways. Two options are offered for selection:

### Use Match key

**Match:**  
Short press match key, immediately press on/off key (single zone remote) or zone key (multiple zone remote) of the remote.

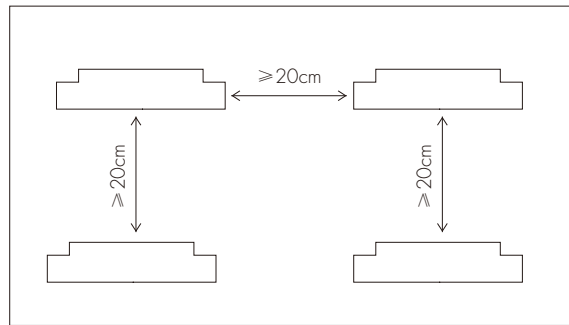
**Delete:**  
Press and hold match key for 5s to delete all match, The light blinks 5 times means all matched remotes were deleted.

### Use Power Restart

**Match:**  
Switch off the power, then switch on power, repeat again. Immediately short press on/off key (single zone remote) or zone key (multiple zone remote) 3 times on the remote. The light blinks 3 times means match is successful.

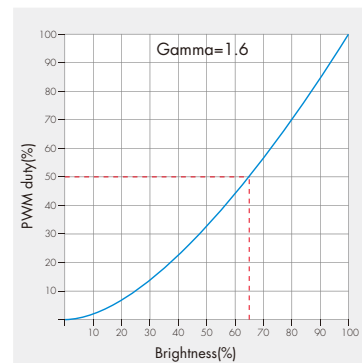
**Delete:**  
Switch off the power, then switch on power, repeat again. Immediately short press on/off key (single zone remote) or zone key (multiple zone remote) 5 times on the remote. The light blinks 5 times means all matched remotes were deleted.

## Installation Precautions



Please do not stack the products.  
The distance between two products should be  $\geq 20\text{cm}$ , so as not to affect heat dissipation and lifespan of the products.

## Dimming Curve



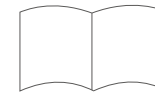
## Failure Analysis and Troubleshooting

Fault	Cause	Solution
The light can not be turned on	1. No power 2. Wrong wiring	1. Check the power supply 2. Connection test
Remote control not response	1. Run out of battery 2. Beyond remote control range 3. No matching	1. Replace the battery 2. Move the remote to controller closer 3. Match the remote to LED driver
Hiccup flashing	Overload	Check the power of the light
Controlled by other remote	Wrong match	Delete all match and match with remote again
Multiple LED controllers are out of sync	Inconsistent fade on/off time	Set the same fade on/off time

## Packing List



LED Control Box  
1 pcs



User Manual  
1 pcs



2P Terminal  
1 pcs



Slotted  
screwdriver  
1 pcs